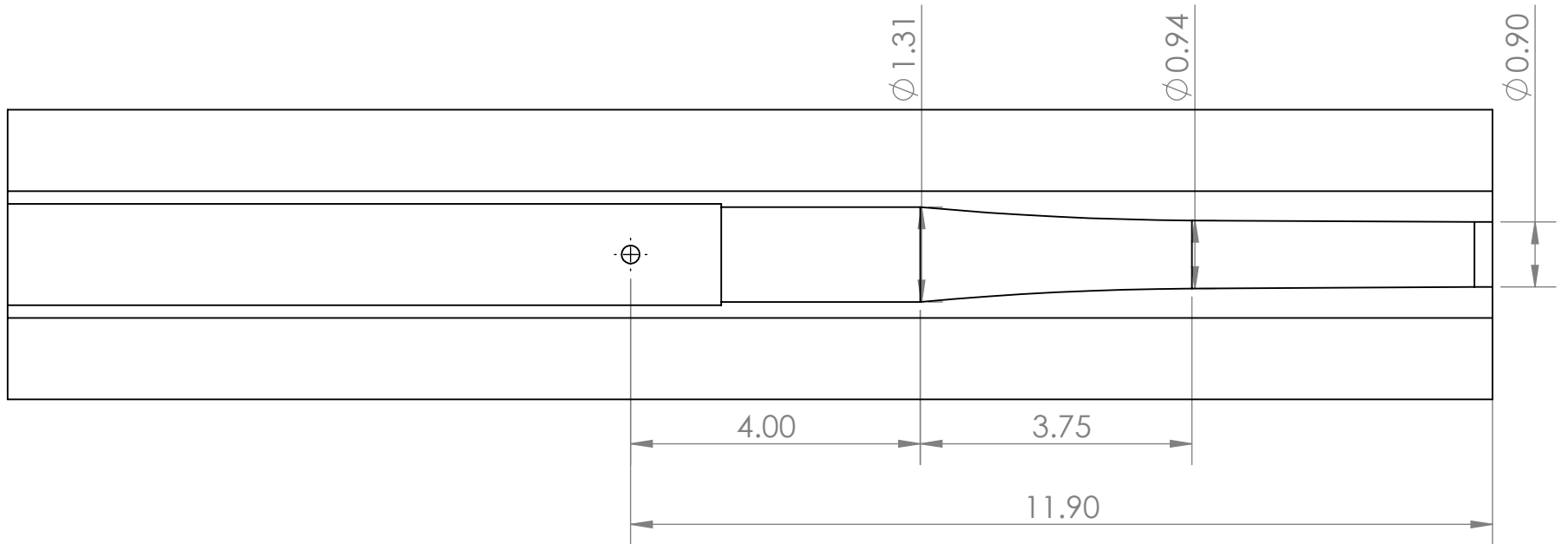


Bartlein #3 Heavy Sporter Barrel Channel Contour (Sep 2014)



AG Composites LLC
Sep 2014

PROPRIETARY AND CONFIDENTIAL
THE INFORMATION CONTAINED IN THIS DRAWING IS THE SOLE PROPERTY OF <INSERT COMPANY NAME HERE>. ANY REPRODUCTION IN PART OR AS A WHOLE WITHOUT THE WRITTEN PERMISSION OF <INSERT COMPANY NAME HERE> IS PROHIBITED.

| | | | | | | | |
|-------------|---------|--------------------------------------|-----------|------|------|--------------|--|
| | | UNLESS OTHERWISE SPECIFIED: | | NAME | DATE | TITLE: | |
| | | DIMENSIONS ARE IN INCHES | DRAWN | | | | |
| | | TOLERANCES: | CHECKED | | | | |
| | | FRACTIONAL \pm | ENG APPR. | | | | |
| | | ANGULAR: MACH \pm BEND \pm | MFG APPR. | | | | |
| | | TWO PLACE DECIMAL \pm | Q.A. | | | REV | |
| | | THREE PLACE DECIMAL \pm | COMMENTS: | | | | |
| | | INTERPRET GEOMETRIC TOLERANCING PER: | | | | | |
| | | MATERIAL | | | | SIZE | DWG. NO. |
| | | FINISH | | | | A | Bartlein #3 Heavy Sporter Barrel Channel Contour |
| NEXT ASSY | USED ON | | | | | SCALE: 1:8 | WEIGHT: |
| APPLICATION | | DO NOT SCALE DRAWING | | | | SHEET 1 OF 1 | |