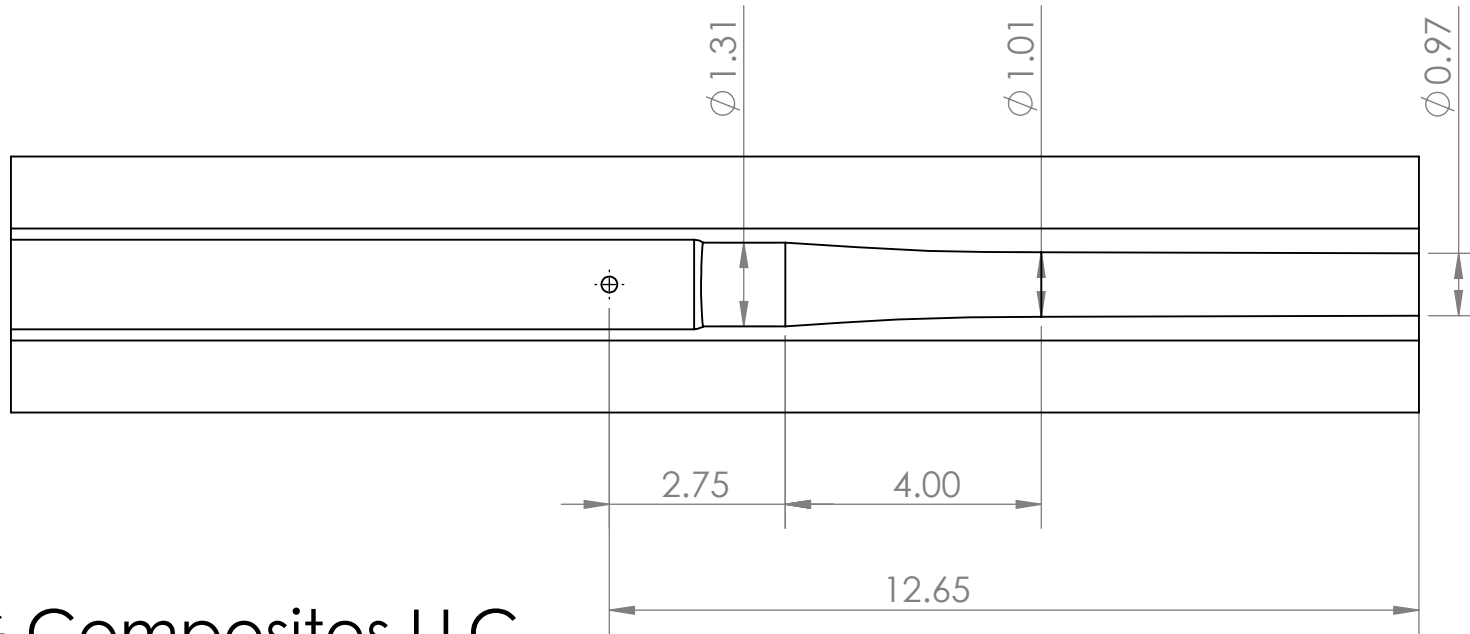


# Varmint Barrel Contour Channel (Sep 2018)



AG Composites LLC  
Sep 2018

<p><b>PROPRIETARY AND CONFIDENTIAL</b> THE INFORMATION CONTAINED IN THIS DRAWING IS THE SOLE PROPERTY OF &lt;INSERT COMPANY NAME HERE&gt;. ANY REPRODUCTION IN PART OR AS A WHOLE WITHOUT THE WRITTEN PERMISSION OF &lt;INSERT COMPANY NAME HERE&gt; IS PROHIBITED.</p>			UNLESS OTHERWISE SPECIFIED:		NAME	DATE	TITLE:		
			DIMENSIONS ARE IN INCHES TOLERANCES: FRACTIONAL ± ANGULAR: MACH ± BEND ± TWO PLACE DECIMAL ± THREE PLACE DECIMAL ±	DRAWN					
			INTERPRET GEOMETRIC TOLERANCING PER:	CHECKED					
			MATERIAL	ENG APPR.					
			FINISH	MFG APPR.					
	NEXT ASSY	USED ON	APPLICATION	COMMENTS:			SIZE <b>A</b>	DWG. NO. Varmint Barrel Channel Contour	REV
	APPLICATION		DO NOT SCALE DRAWING	SCALE: 1:8	WEIGHT:	SHEET 1 OF 1			