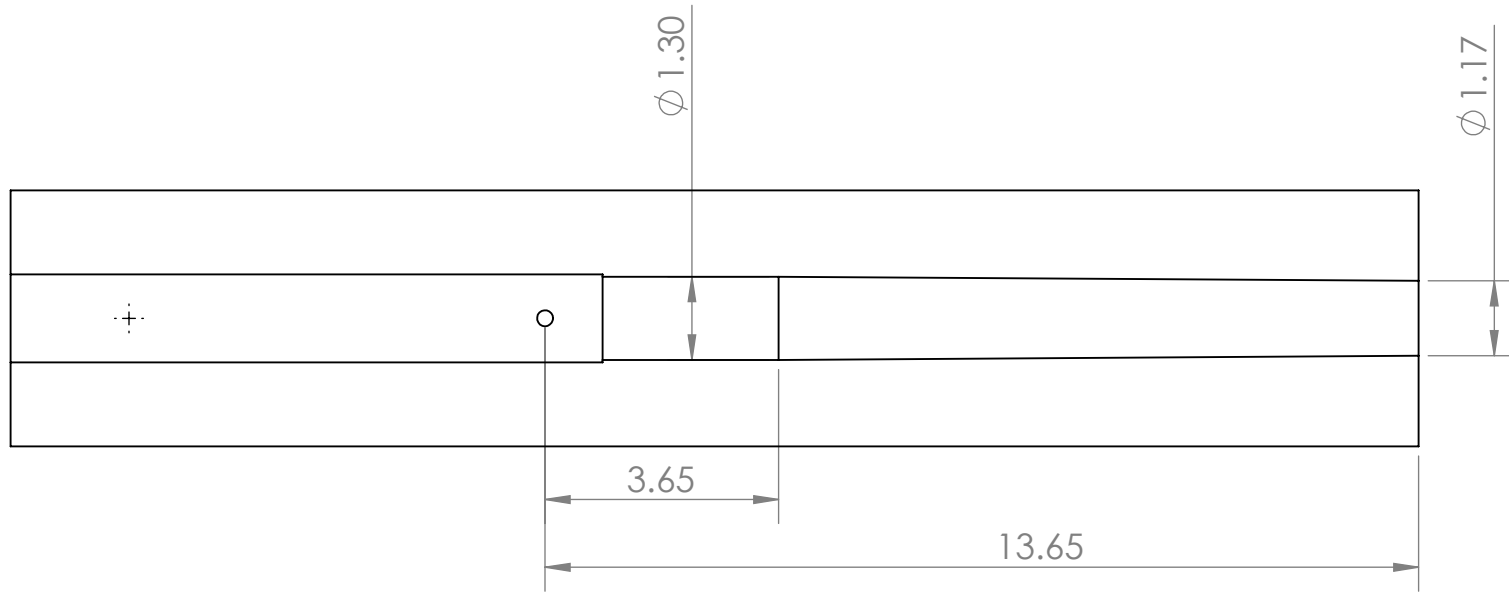


AG Composites Carbon Six Medium (2019)



AG Composites LLC
Feb 2019

PROPRIETARY AND CONFIDENTIAL
THE INFORMATION CONTAINED IN THIS DRAWING IS THE SOLE PROPERTY OF <INSERT COMPANY NAME HERE>. ANY REPRODUCTION IN PART OR AS A WHOLE WITHOUT THE WRITTEN PERMISSION OF <INSERT COMPANY NAME HERE> IS PROHIBITED.

| | | | | | | | | |
|-------------|---------|--------------------------------------|-----------|------|------|------------|-------------------|--------------|
| | | UNLESS OTHERWISE SPECIFIED: | | NAME | DATE | | | |
| | | DIMENSIONS ARE IN INCHES | DRAWN | | | TITLE: | | |
| | | TOLERANCES: | CHECKED | | | | | |
| | | FRACTIONAL ± | ENG APPR. | | | | | |
| | | ANGULAR: MACH ± BEND ± | MFG APPR. | | | | | |
| | | TWO PLACE DECIMAL ± | Q.A. | | | | | |
| | | THREE PLACE DECIMAL ± | COMMENTS: | | | | | |
| | | INTERPRET GEOMETRIC TOLERANCING PER: | | | | SIZE | DWG. NO. | REV |
| | | MATERIAL | | | | A | Carbon Six Medium | |
| NEXT ASSY | USED ON | FINISH | | | | SCALE: 1:8 | WEIGHT: | SHEET 1 OF 1 |
| APPLICATION | | DO NOT SCALE DRAWING | | | | | | |