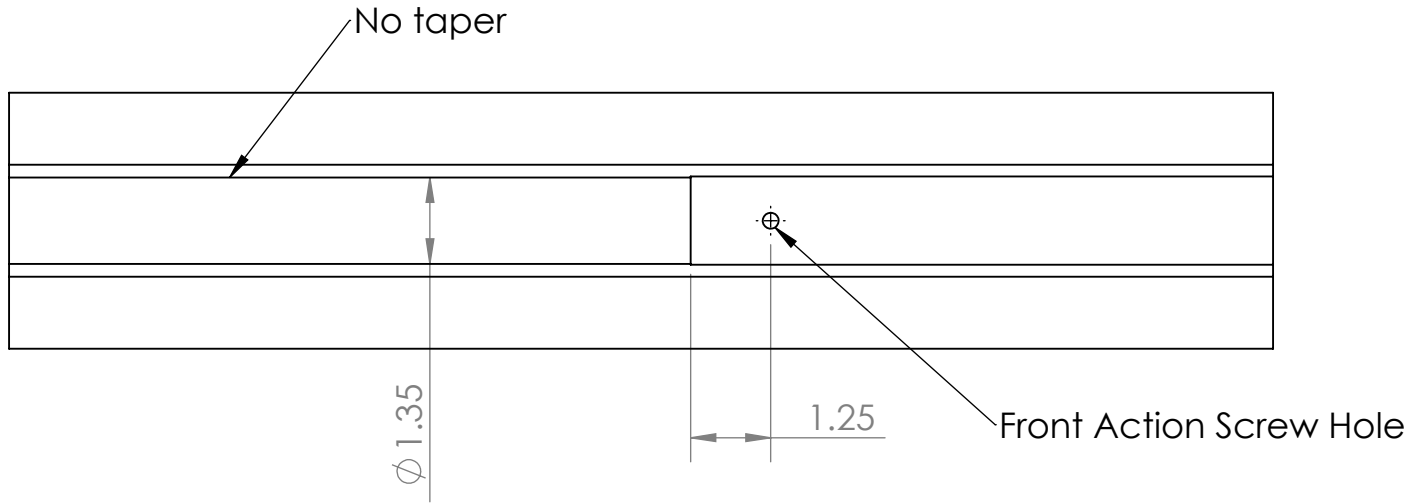


# AG Composites LLC

## SWS Bull Barrel Contour



**PROPRIETARY AND CONFIDENTIAL**  
 THE INFORMATION CONTAINED IN THIS DRAWING IS THE SOLE PROPERTY OF <INSERT COMPANY NAME HERE>. ANY REPRODUCTION IN PART OR AS A WHOLE WITHOUT THE WRITTEN PERMISSION OF <INSERT COMPANY NAME HERE> IS PROHIBITED.

		UNLESS OTHERWISE SPECIFIED:		NAME	DATE	TITLE:		
		DIMENSIONS ARE IN INCHES	DRAWN					
		TOLERANCES:	CHECKED					
		FRACTIONAL $\pm$	ENG APPR.					
		ANGULAR: MACH $\pm$ BEND $\pm$	MFG APPR.					
		TWO PLACE DECIMAL $\pm$	Q.A.					
		THREE PLACE DECIMAL $\pm$	COMMENTS:					
		INTERPRET GEOMETRIC TOLERANCING PER:						
		MATERIAL				SIZE	DWG. NO.	REV
		FINISH				<b>A</b>	AG Composites SWS Bull Barrel Contour	
NEXT ASSY	USED ON					SCALE: 1:8	WEIGHT:	SHEET 1 OF 1
APPLICATION		DO NOT SCALE DRAWING						